

# PDA17F

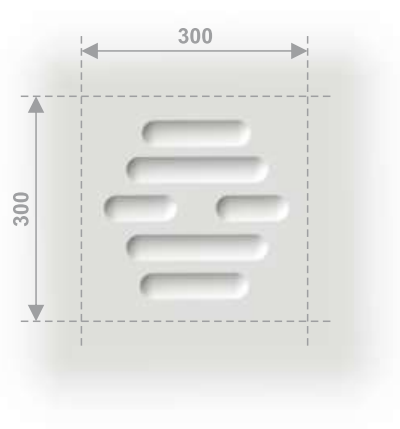


moduuloform

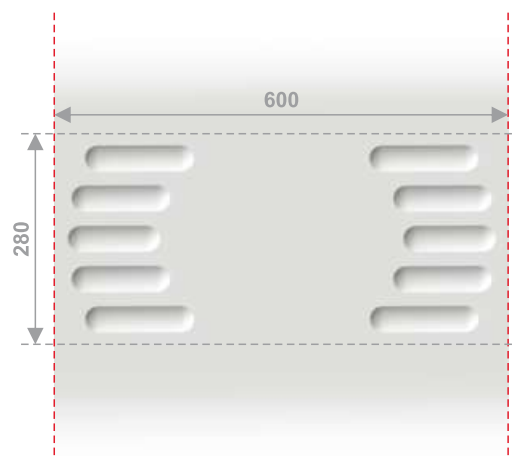


600 / 600 mm

P4



PDA17F/P2F



PDA17F/P3F