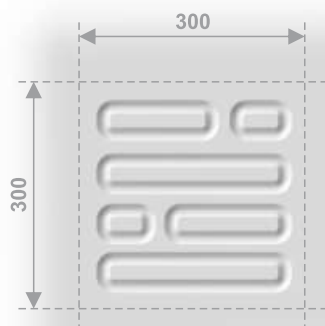


PDA1F

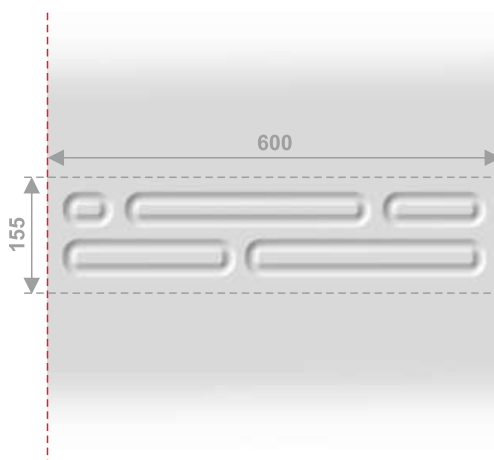


600 / 600 mm

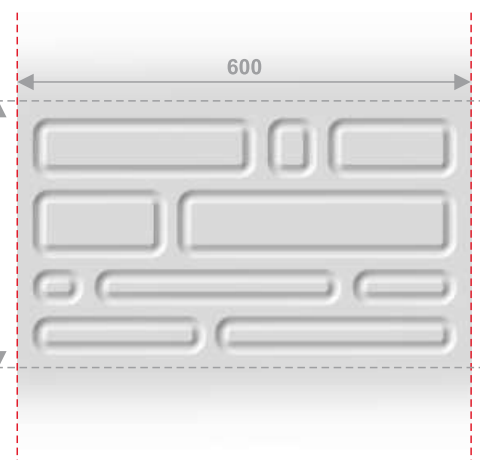
P4



PDA1F/P2/1F



PDA1F/P2/2F



PDA1F/P3F