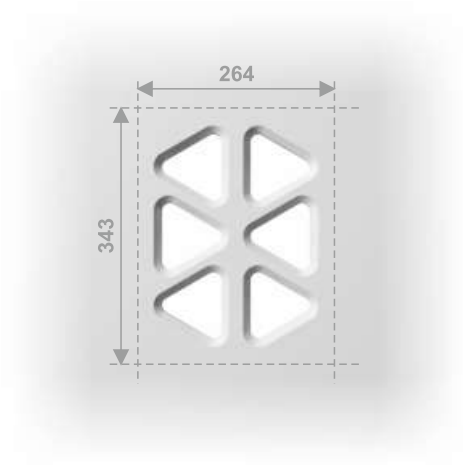
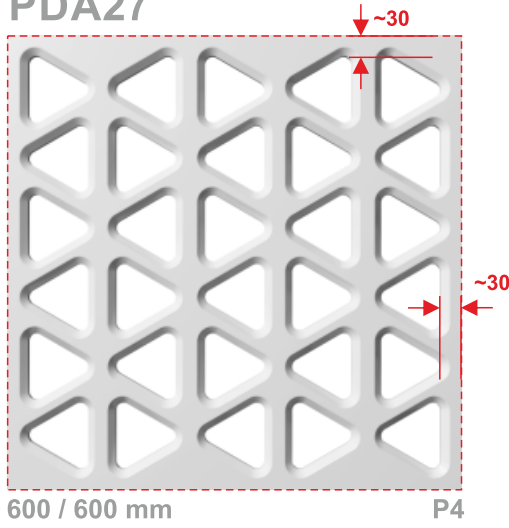
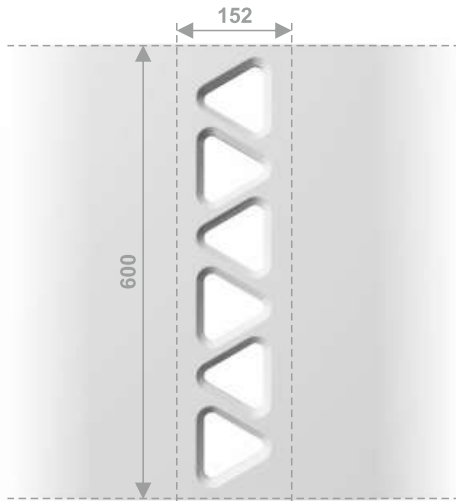


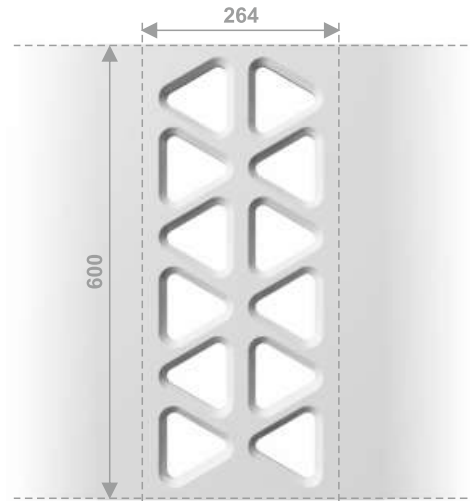
# PDA27



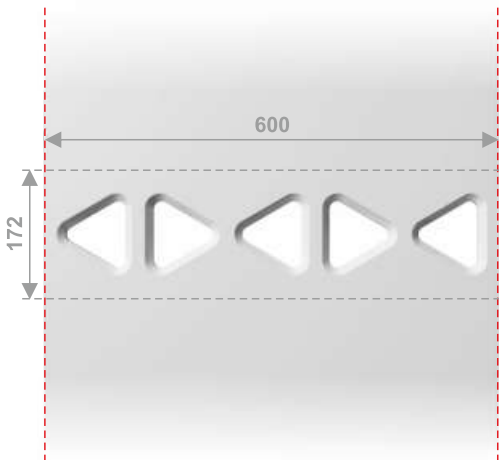
PDA27/P2/1



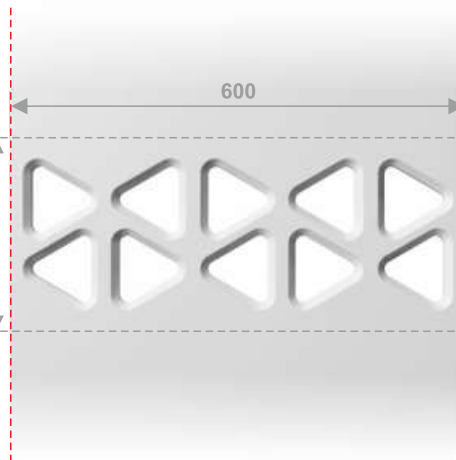
PDA27/P2/2



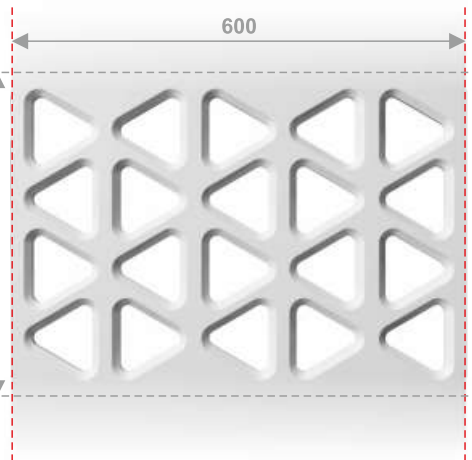
PDA27/P3/1



PDA27/P2/3



PDA27/P3/2



PDA27/P3/3